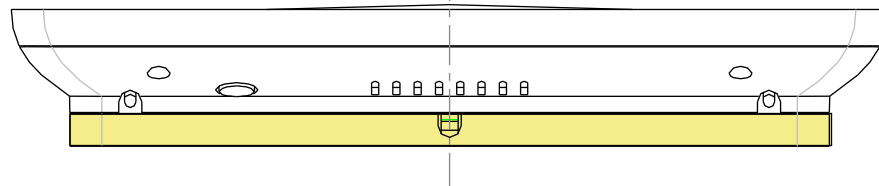
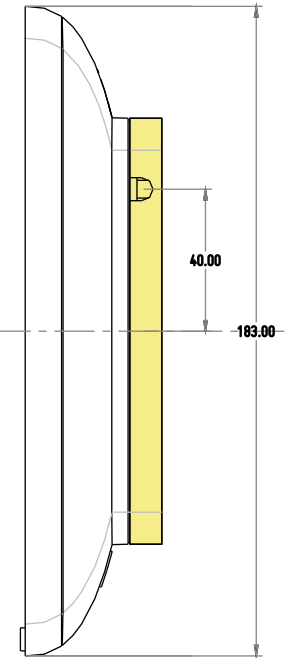
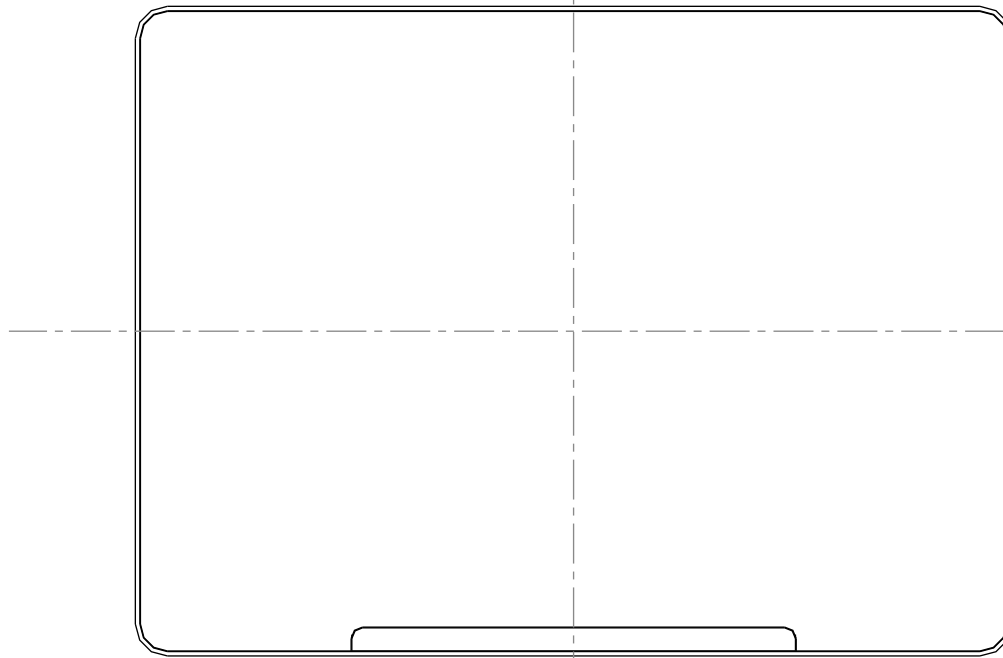
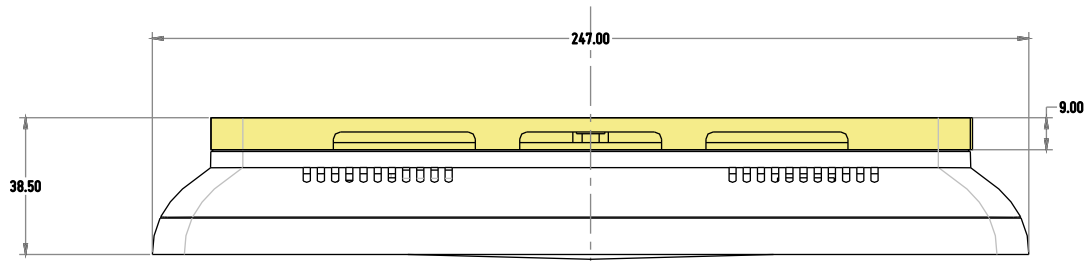
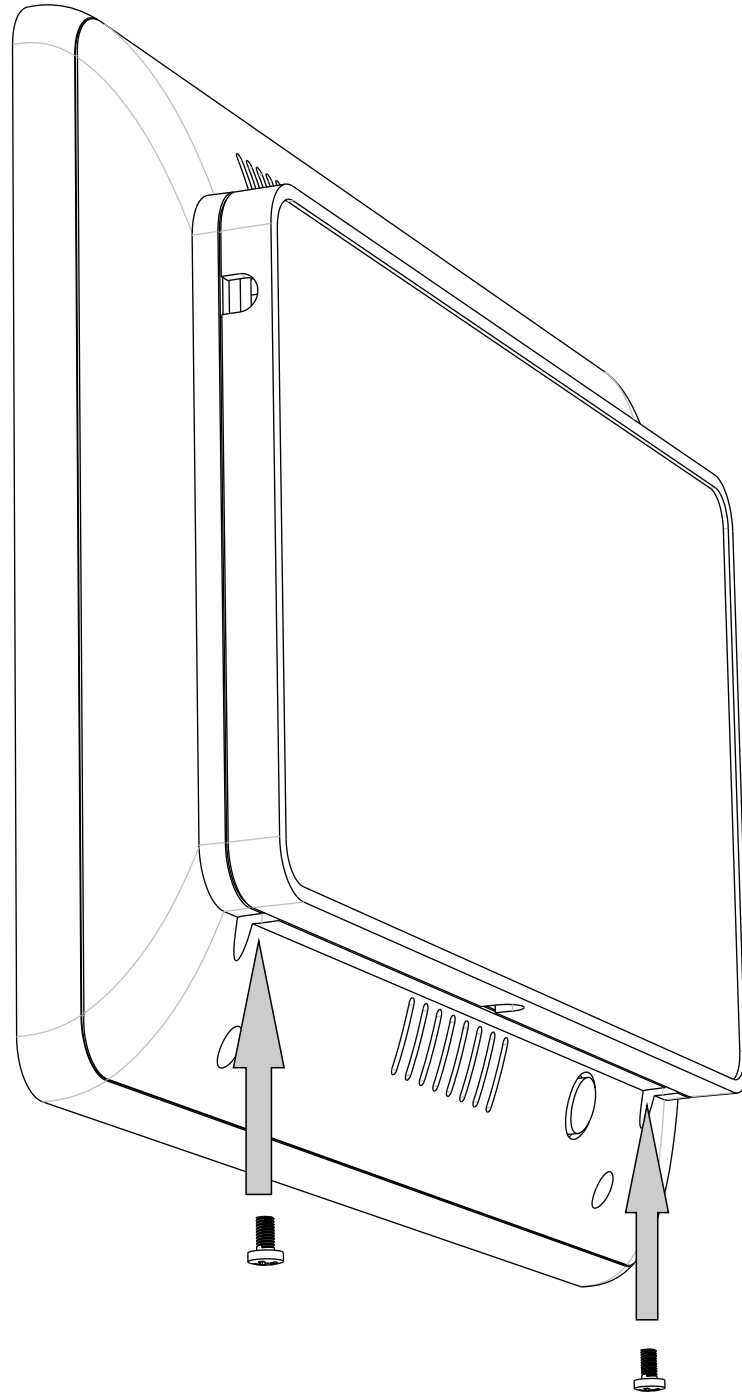


NETWORK
PORT









Meeting Room 5A

09:50

Enter pin or swipe card below

Pin _ _ _ _ _

0	1	2	3	4
5	6	7	8	9
A	B	C	D	E

Clear
× Cancel



